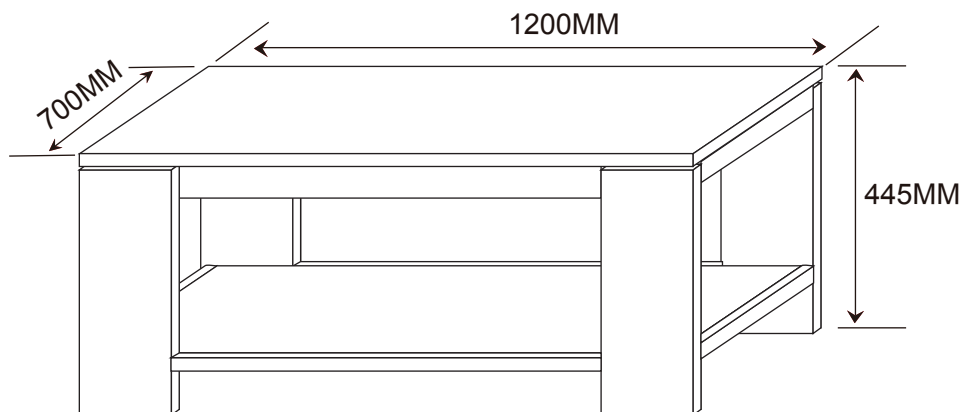


Assembly Instruction



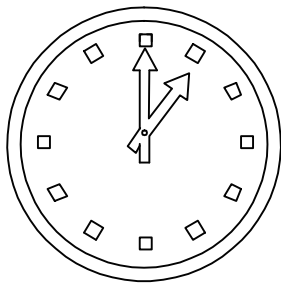
Item Code: 49355

MAJESTY COFFEE TABLE

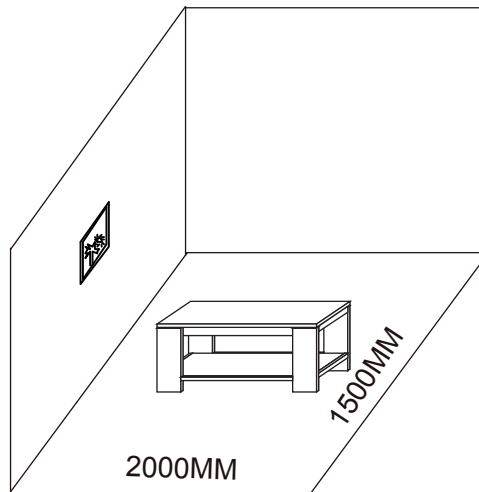


Please read the assembly instruction carefully before assembling.

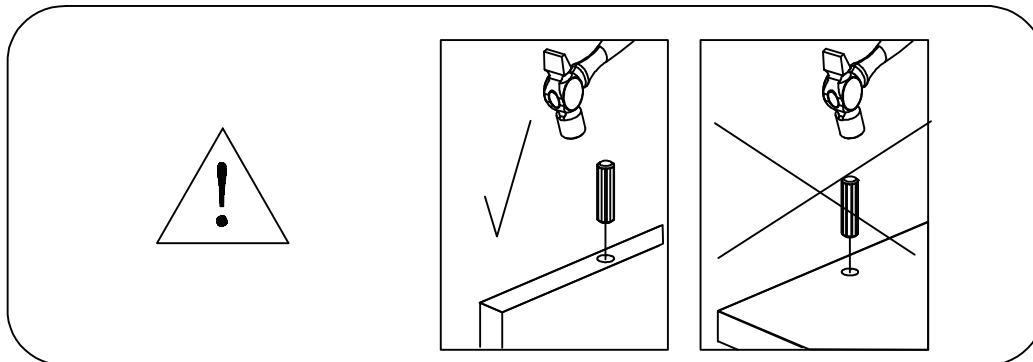
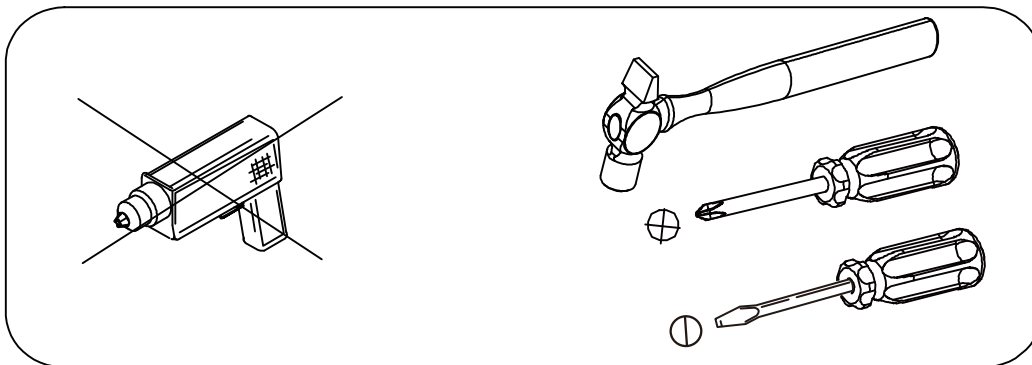
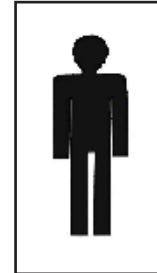
**IMPORTED BY SUPER AMART PTY LTD, BRISBANE,
QLD, AUSTRALIA
CUSTOMER SERVICE FREECALL 1800 351 084**



Allow 30 min

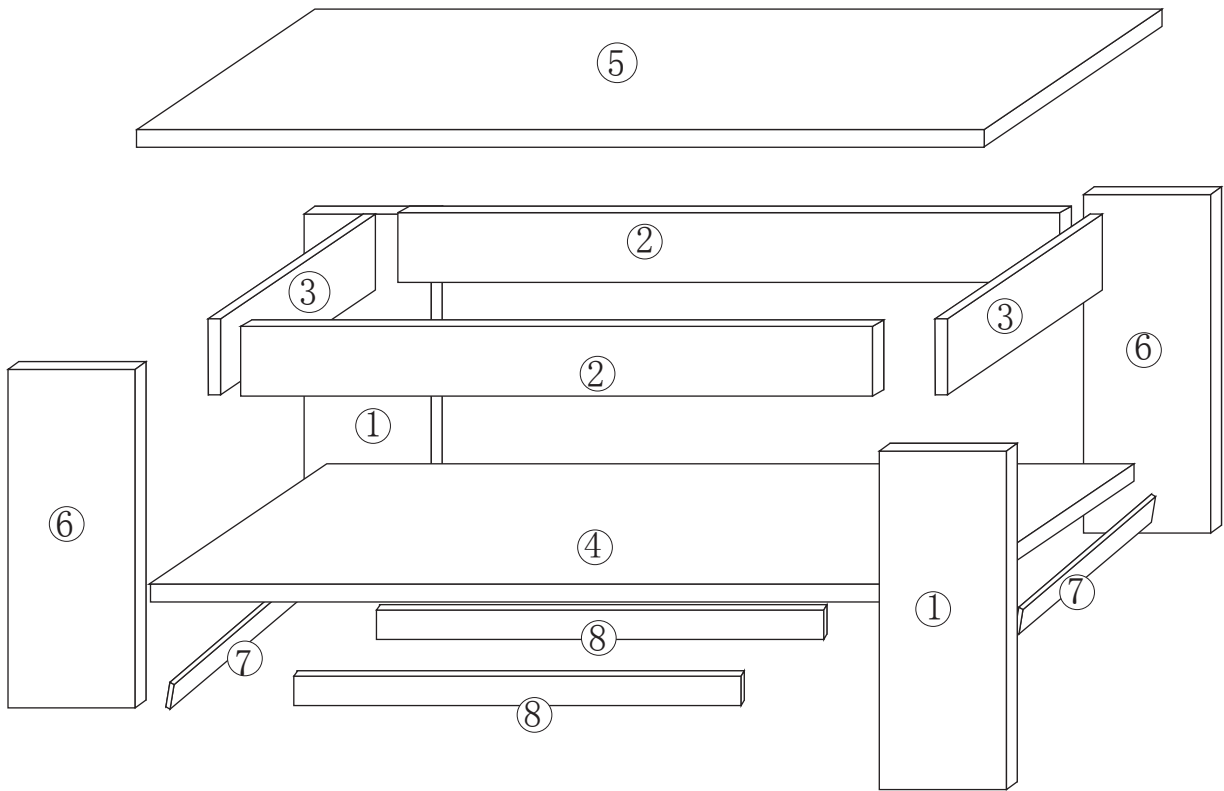


1 PEOPLE REQUIRED



Assembly is to be carried out by a competent adult only.
During assembly children should be kept away from the product due to possible risk of injury.
Do not use this item if any components are missing or damaged.
Please keep these instructions for future reference.

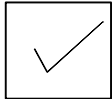
EXPLODED EXAMPLE


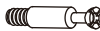





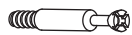

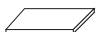




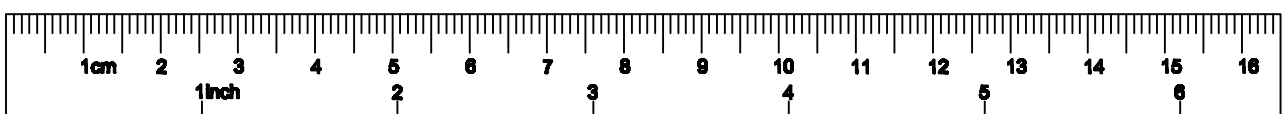
CHECKLIST

Before you start.....

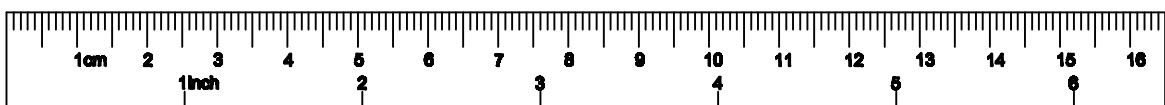
1. Choose a clean, level, spacious assembly area. Avoid hard surfaces that may damage the product.
2. Check and ensure that you have all required contents for complete assembly.
3. Always read the assembly instructions carefully before beginning assembly.
4. The packaging and contents can be a choking hazard, therefore keep out of reach of small children at all times.
5. Do not over tighten the bolts as this may damage the thread.



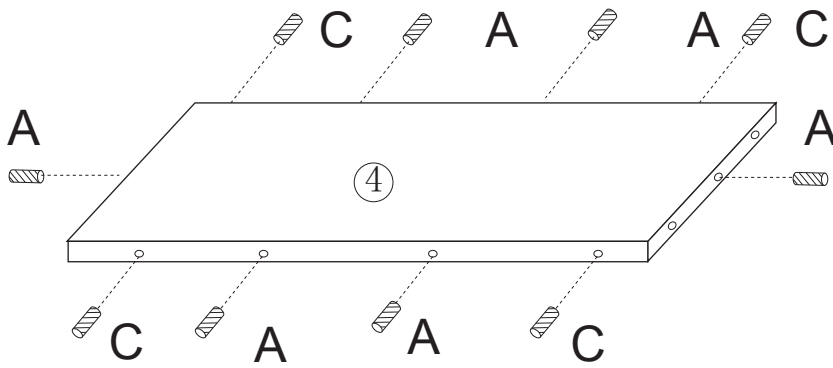
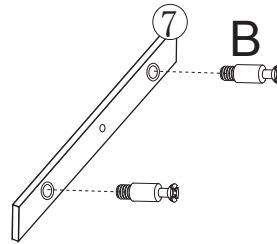
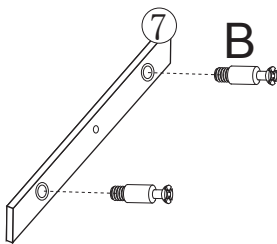
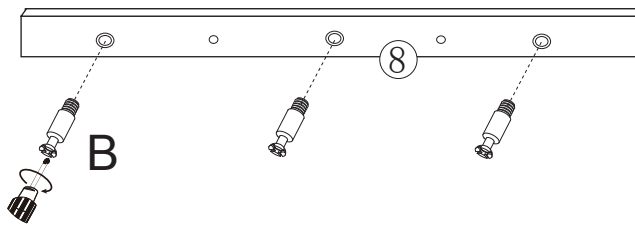
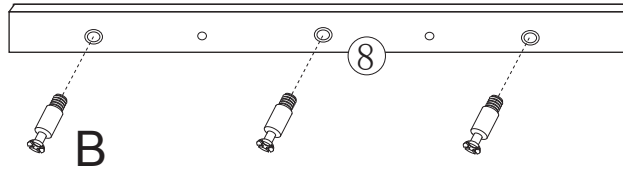
<p>A <input type="checkbox"/></p> <p>dowel</p>  <p>M8x30mm 6xA</p>	<p>B <input type="checkbox"/></p> <p>cam pin</p>  <p>M7x39mm 10xB</p>	<p>C <input type="checkbox"/></p> <p>dowel</p>  <p>M8x50mm 14xC</p>
<p>D <input type="checkbox"/></p> <p>hexagon socket screw</p>  <p>4xD</p>	<p>E <input type="checkbox"/></p> <p>wrenches</p>  <p>1xE</p>	<p>F <input type="checkbox"/></p> <p>spring washer</p>  <p>4xF</p>
<p>G <input type="checkbox"/></p> <p>8 mm round washers</p>  <p>4xG</p>	<p>H <input type="checkbox"/></p> <p>cam pin</p>  <p>M7x53mm 18xH</p>	<p>I <input type="checkbox"/></p> <p>cam lock</p>  <p>28xI</p>
<p>J <input type="checkbox"/></p> <p>non-slip sticker</p>  <p>4xJ</p>	<p>K <input type="checkbox"/></p> <p>black corner connection</p>  <p>4xK</p>	<p>L <input type="checkbox"/></p> <p>contersunk head screw</p>  <p>M3.5x14mm 16xL</p>








PART NUMBER	QTY	DIMENSIONS (MM)
1	2	150x395x50
2	2	80x1048x25
3	2	80x598x25
4	1	598x1098x15
5	1	700x1200x40
6	2	150x395x50
7	2	40x598x25
8	2	40x898x25

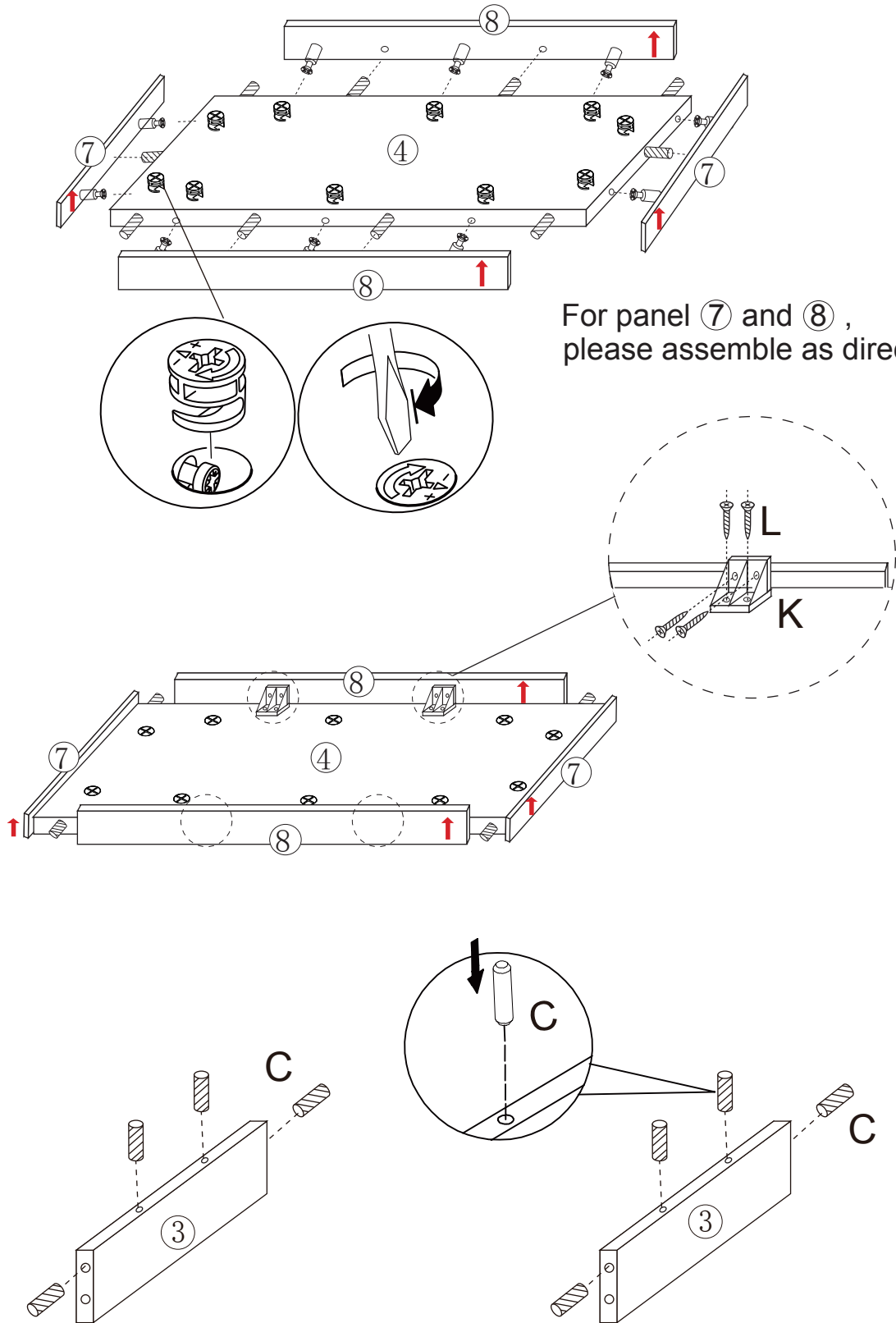


1



2

 8xC	 10xI	 4xK	 16xL	
--	---	--	---	---



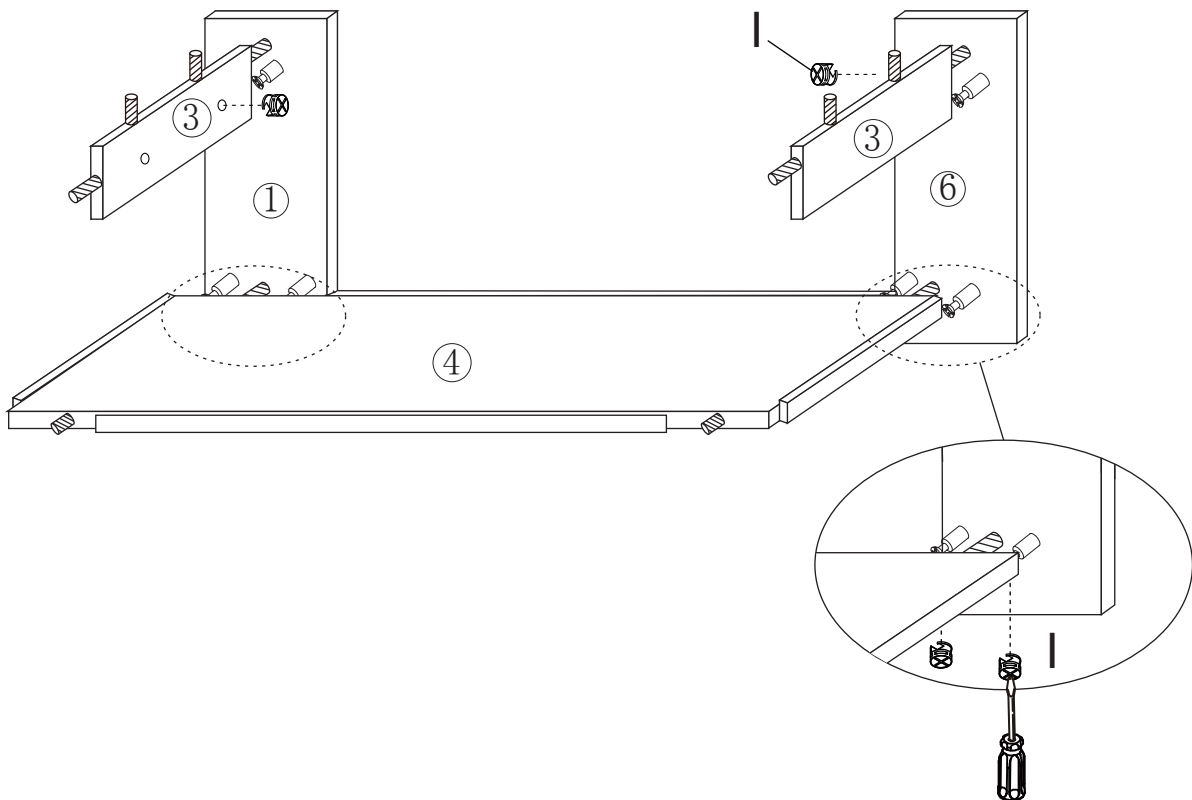
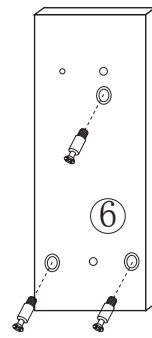
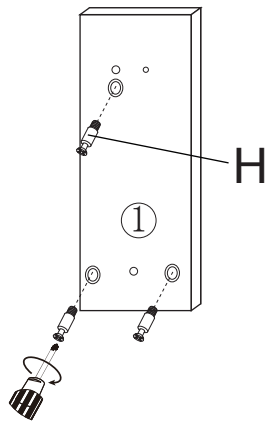
3



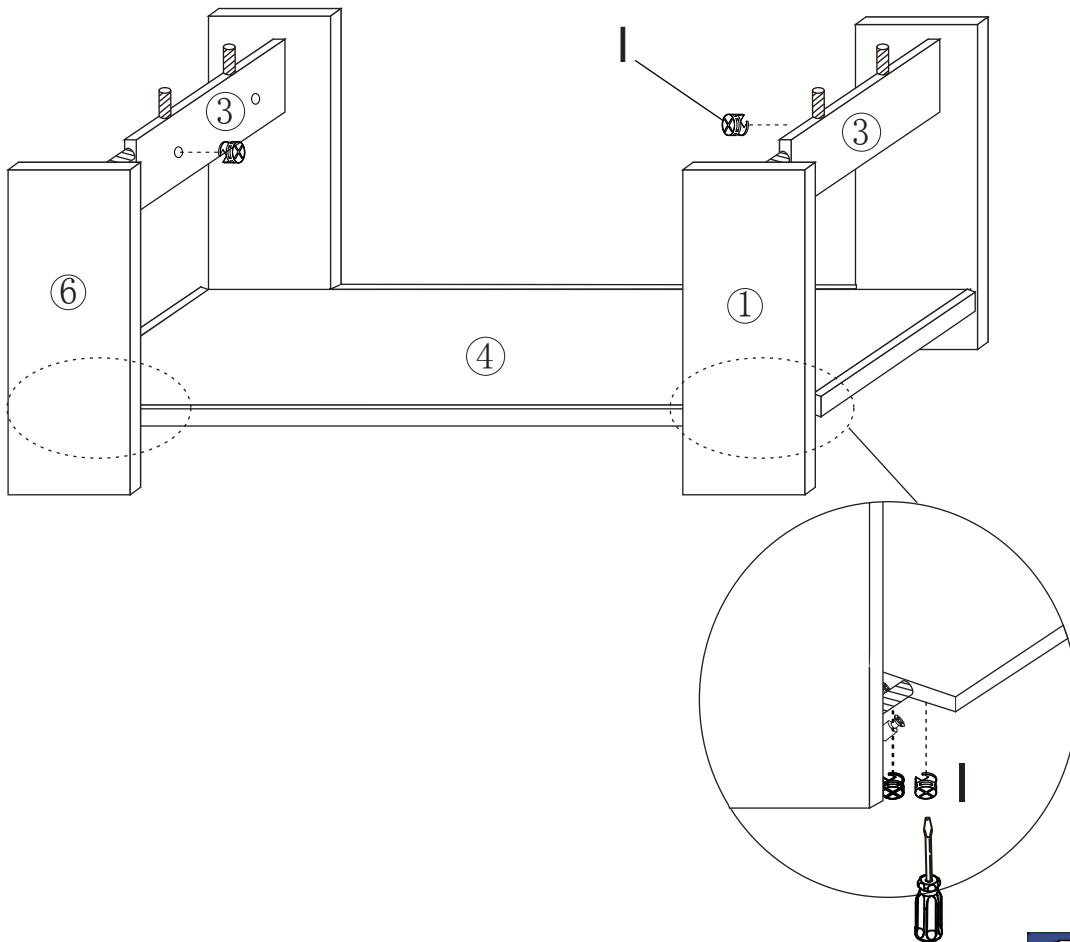
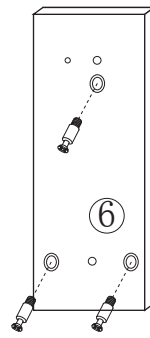
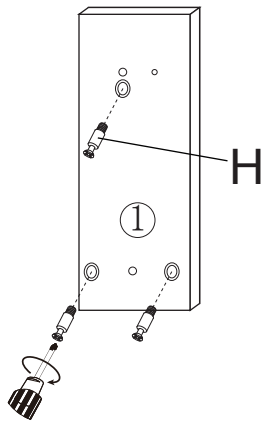
6xH



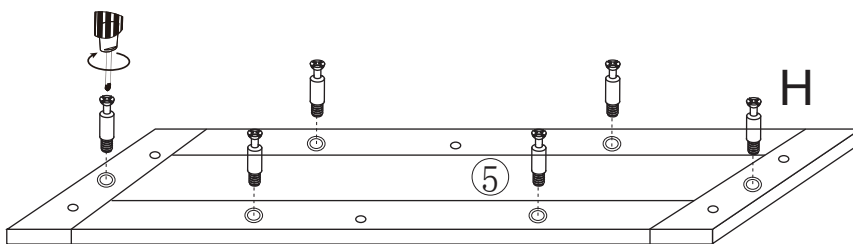
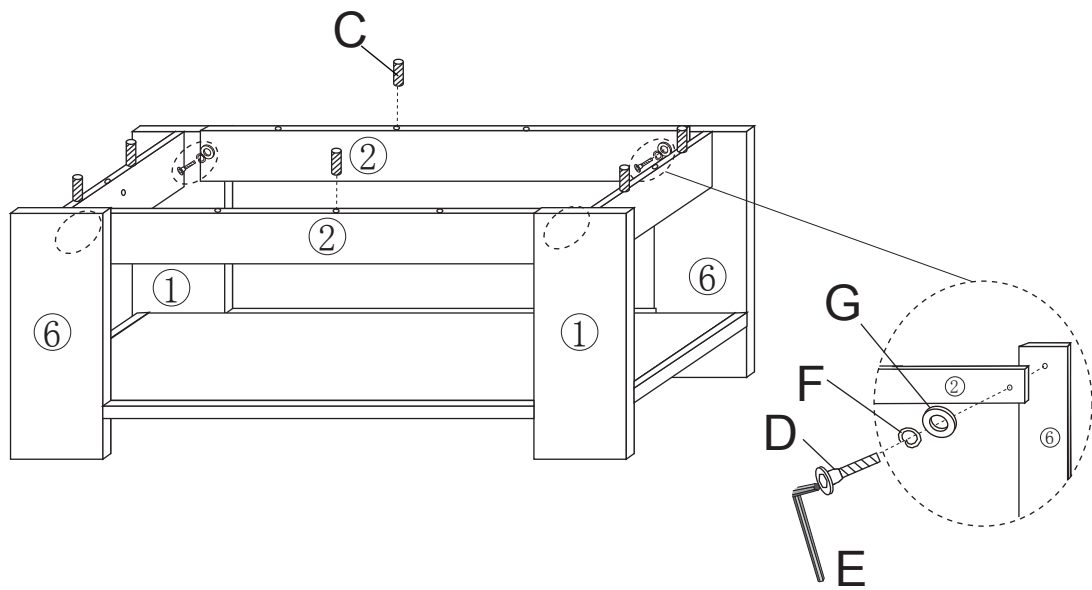
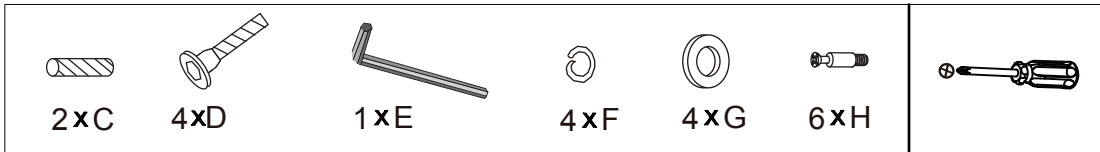
6xI



4



5



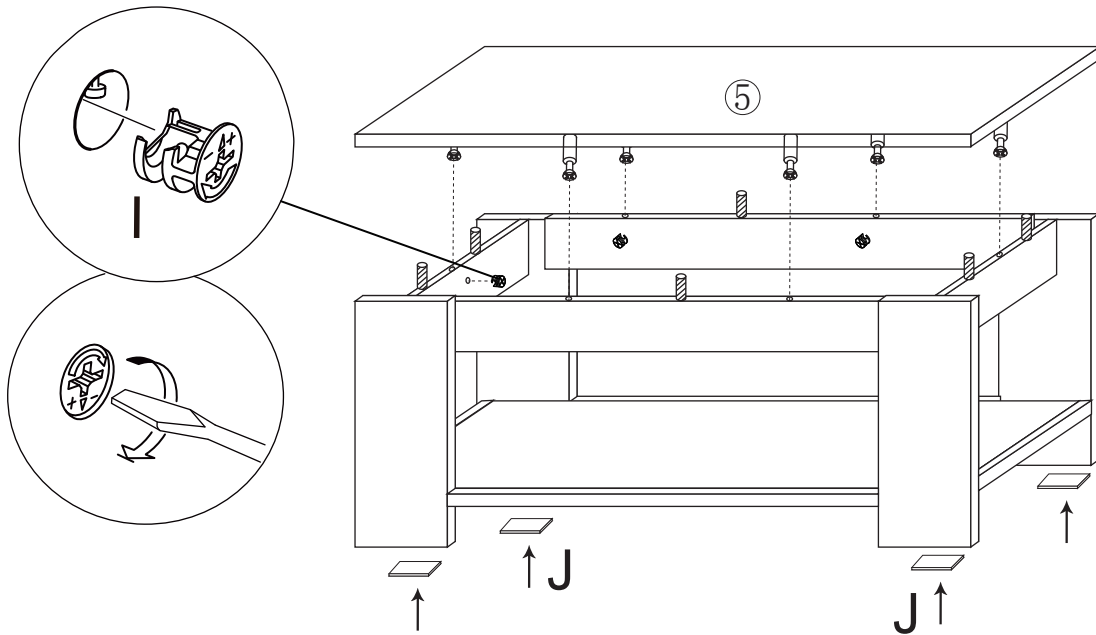
6



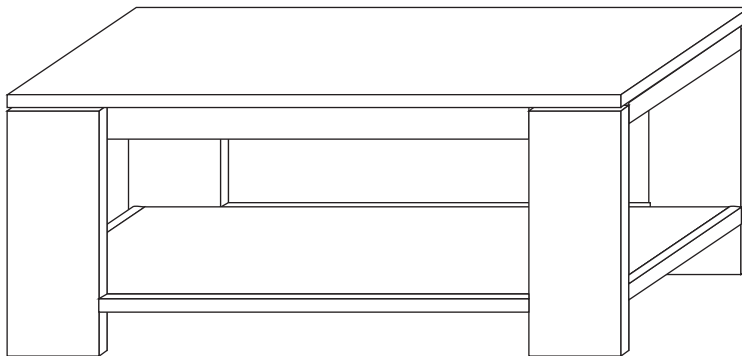
6xI



4xJ



Attach all the non-slip sticker to legs



The job is now complete!

**In the interest of our environment
please dispose of all packaging thoughtfully.**